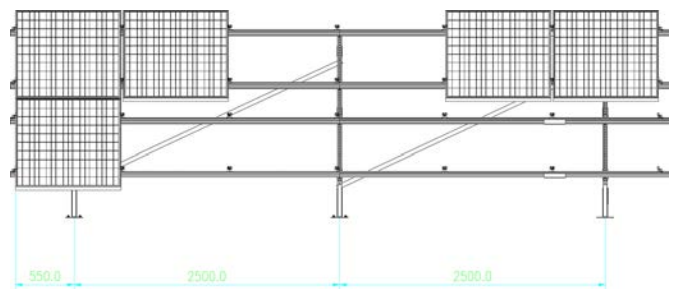
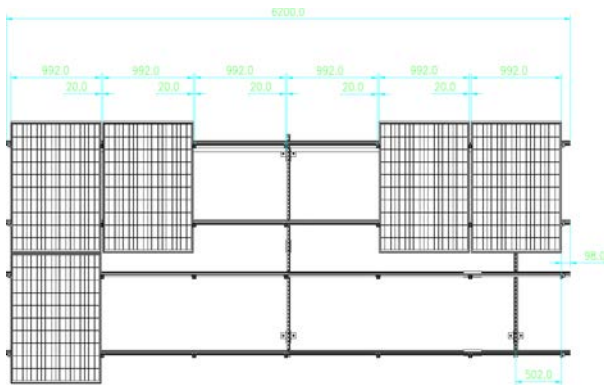
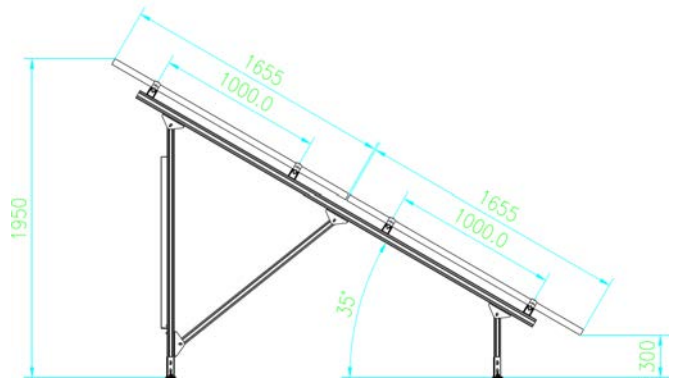
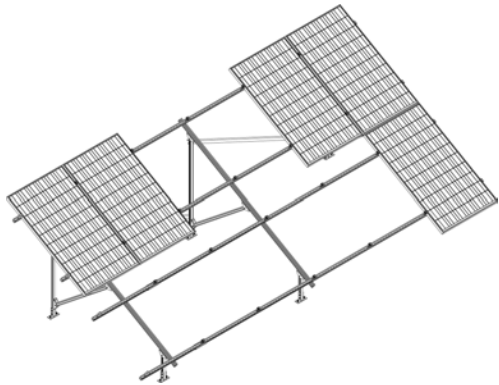




PHOTOVOLTAIC SOLAR ENERGY MOUNTING - GROUND - PLATE BASE - SI-ESF-S-SP2V

Structure designed to accommodate 2 rows with 12 standard panels, placed row portrait or row landscape.



DESCRIPTION

- ✓ Installation place: open areas
- ✓ Height: depending on the order
- ✓ Maximum wind load: 150 km/h
- ✓ Maximum snow load: 1.2 kN/m²
- ✓ Module type: with frame
- ✓ Module orientation: horizontal or vertical
- ✓ Module size: any
- ✓ Material: depending on the order
- ✓ Color: natural
- ✓ Warranty: 15 years

