

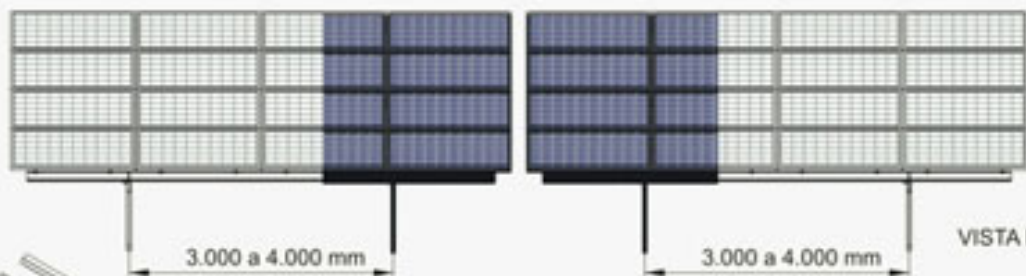


PHOTOVOLTAIC SOLAR ENERGY
MOUNTING - GROUND - TWO PILE - HORIZONTAL - SI-ESF-S-SB4H

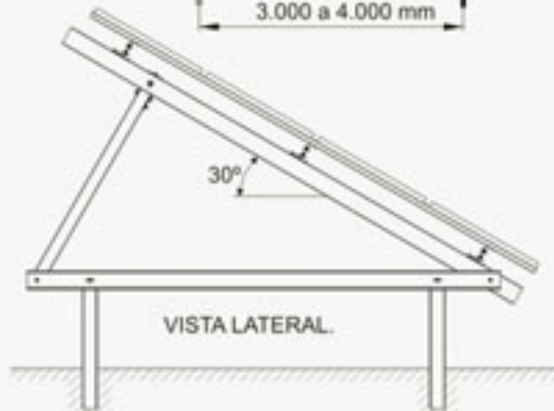
Two poles structure for installation on the ground through direct nailed of the pole, designed to accommodate four rows of standard panels, row landscape.



VISTA EN PLANTA.



VISTA EN ALZADO.



VISTA LATERAL.



VISTA 3D.

Nota: La profundidad del hincado varía en función del tipo de terreno.



PHOTOVOLTAIC SOLAR ENERGY MOUNTING - GROUND - TWO PILE - HORIZONTAL - SI-ESF-S-SB4H

QUALITY

- ✓ The quality of Steel in all elements of these structures is S-235/275-JR, according to UNE-EN 10027-1:2006 and CR 10260.
- ✓ The structures are adapted to the different dimensions of the panel on the market (three rows of panels) even with the assembled structure.
- ✓ All structural elements and fixings are hot dip galvanized at 450° C, according to ISO 1461:2010.
- ✓ Elements can be supplied with other qualities and finishes depending on customer requirements and based on the UNE-EN 10326:2007 (Ex: S250GD + Z275).
- ✓ The elements have a durable galvanized as set forth in the EN ISO 14713:2011, depending on the type of environment to which they are exposed.
- ✓ In these structures the connections between all elements are bolted, not welded existing before or after the finishing process.
- ✓ Including all hardware and fasteners. The hardware is stainless Steel quality A2, metric M8-M10-M12-M16.
- ✓ Ease of installation due to the simplicity of its elements and connections.
- ✓ Systems perfect adaptability to the topography of the land.
- ✓ Do not need foundation or any type of civil works.

CERTIFICATES

Our manufacturing plants have been prepared in accordance with:

- ✓ ISO 9001:2008, in terms of Quality Management Systems.
- ✓ ISO 14001:2004, in terms of Environmental Management System.
- ✓ OHSAS 18001:2007, in terms of Occupational Health and Safety Management Systems.

WARRANTY

Manufacturing defects: 15 years.