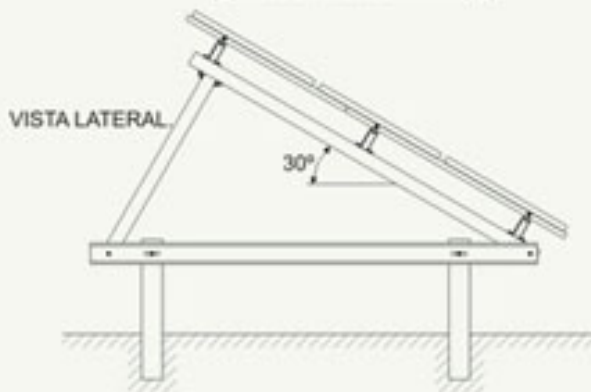
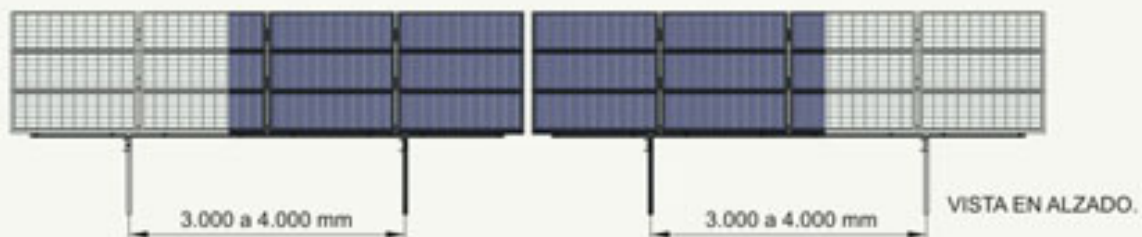




## PHOTOVOLTAIC SOLAR ENERGY

### MOUNTING - GROUND - TWO PILE - HORIZONTAL - SI-ESF-S-SB3H

Two poles structure for installation on the ground through direct nailed of the pole, designed to accommodate three rows of standard panels, row landscape.





## **PHOTOVOLTAIC SOLAR ENERGY MOUNTING - GROUND - TWO PILE - HORIZONTAL - SI-ESF-S-SB3H**

### **QUALITY**

- ✓ The quality of Steel in all elements of these structures is S-235/275-JR, according to UNE-EN 10027-1:2006 and CR 10260.
- ✓ The structures are adapted to the different dimensions of the panel on the market (three rows of panels) even with the assembled structure.
- ✓ All structural elements and fixings are hot dip galvanized at 450° C, according to ISO 1461:2010.
- ✓ Elements can be supplied with other qualities and finishes depending on customer requirements and based on the UNE-EN 10326:2007 (Ex: S250GD + Z275).
- ✓ The elements have a durable galvanized as set forth in the EN ISO 14713:2011, depending on the type of environment to which they are exposed.
- ✓ In these structures the connections between all elements are bolted, not welded existing before or after the finishing process.
- ✓ Including all hardware and fasteners. The hardware is stainless Steel quality A2, metric M8-M10-M12-M16.
- ✓ Ease of installation due to the simplicity of its elements and connections.
- ✓ Systems perfect adaptability to the topography of the land.
- ✓ Do not need foundation or any type of civil works.

### **CERTIFICATES**

Our manufacturing plants have been prepared in accordance with:

- ✓ ISO 9001:2008, in terms of Quality Management Systems.
- ✓ ISO 14001:2004, in terms of Environmental Management System.
- ✓ OHSAS 18001:2007, in terms of Occupational Health and Safety Management Systems.

### **WARRANTY**

Manufacturing defects: 15 years.